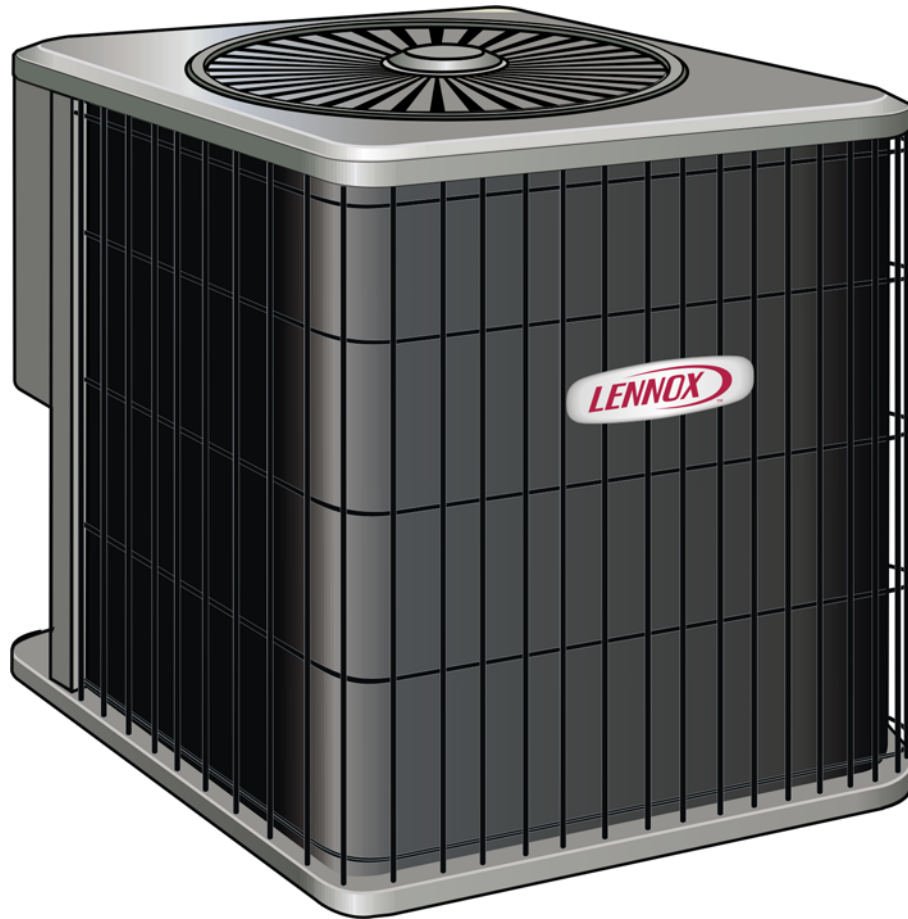




ENGINEERING DATA

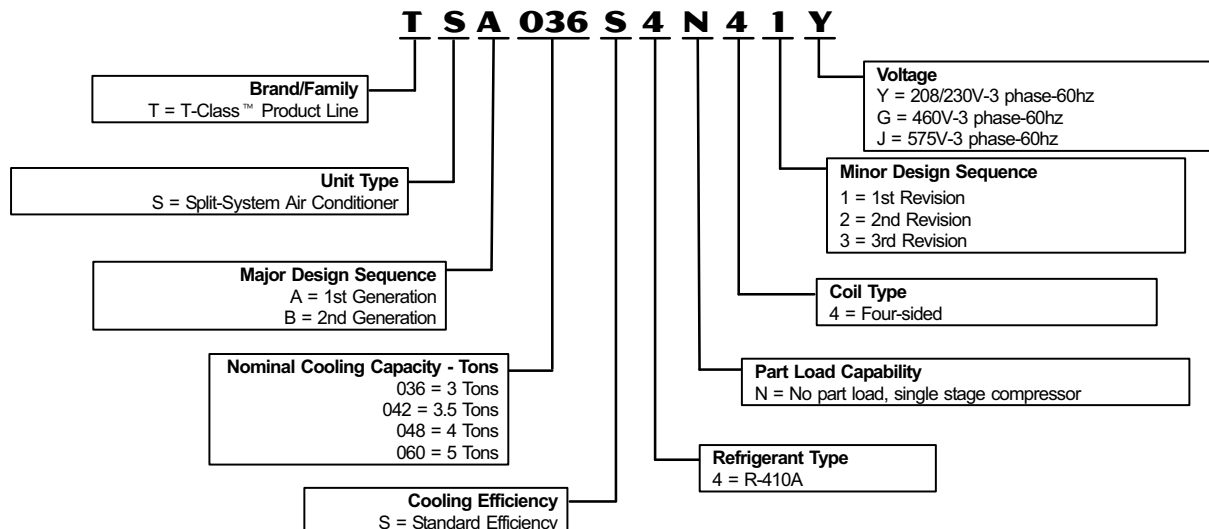
T-CLASS™ SPLIT SYSTEM UNITS
Standard Efficiency - R-410A - 60 HZ

Bulletin No. 210461
May 2009
Supersedes March 2009



SEER up to 14.0
3 to 5 Tons
Cooling Capacity - 33,400 to 62,500 Btuh

MODEL NUMBER IDENTIFICATION



FEATURES

CONTENTS

AHRI Rating Tables	Pages 10-18
Dimensions	Page 8
Electrical Data	Page 6
Features	Pages 2-4
Guide Specifications	Pages 19 - 23
Indoor Coil / Air Handler Substitution	Page 9
Installation Clearances	Page 7
Model Number Identification	Page 1
Outdoor Sound Data	Page 7
Specifications	Page 6

WARRANTY

Compressor - limited warranty for **five years**.

All other covered components - **one year**.

Refer to Lennox Equipment Limited Warranty certificate included with unit for specific details.

APPROVALS

Certified in Accordance with the USE certification program, which is based on AHRI Standard 210/240-2005.

Sound rated in Lennox reverberant sound test room in Accordance with test conditions included in AHRI Standard 270-95.

Tested in the Lennox Research Laboratory environmental test room.

Rated According to U.S. Department of Energy (DOE) test procedures.

Units and components within bonded for grounding to meet safety standards for servicing required by UL, NEC and CEC.

Units are UL listed and CSA certified.

ISO 9001 Registered Manufacturing Quality System.

ENERGY STAR® certified units are designed to use less energy, help save money on utility bills, and help protect the environment.

APPLICATIONS

SEER up to 14.0.

3 through 5 ton.

Three-phase power supply.

Vertical air discharge allows concealment behind shrubs at grade level or out of sight on a roof.

Matching add-on furnace indoor coils or air handlers provide a wide range of cooling capacities and applications. See AHRI Ratings table.

See Indoor Coils and Air Handlers tab sections for unit data.

Units shipped completely factory assembled, piped and wired. Each unit test operated at the factory ensuring proper operation.

Installer must set air conditioner, connect refrigerant lines and make electrical connections to complete job.

For expanded ratings, see www.lennoxcommercial.com.



REFRIGERANT SYSTEM

Refrigerant

Non-chlorine, ozone friendly, R-410A.

Unit pre-charged with refrigerant. See Specification table.



1 Condenser Fan

Direct drive fan moves large air volumes uniformly through entire condenser coil for high refrigerant cooling capacity.

Vertical air discharge minimizes operating sounds and eliminates damage to lawn and shrubs.

Fan motor has sleeve bearings and is inherently protected.

Motor totally enclosed for maximum protection from weather, dust and corrosion.

Rain shield on motor provides additional protection from moisture.

Louvered steel top fan guard furnished as standard.

Fan service access accomplished by removal of top panel.

FEATURES

REFRIGERANT SYSTEM - CONTINUED

2 Copper Tube/Enhanced Fin Coil

Lennox designed and fabricated coil.
Ripple-edged aluminum fins.
Copper tube construction.
Lanced fins provide maximum exposure of fin surface to air stream resulting in excellent heat transfer.
Fin collars grip tubing for maximum contact area.
Flared shoulder tubing connections/silver soldering construction.
Coil is factory tested under high pressure to ensure leakproof construction.
Entire coil is accessible for cleaning.
PVC coated steel wire coil guard furnished as standard.

High Pressure Switch Kit

Protects the system from high pressure conditions that can be a result of fan failure or a blocked/dirty coil.
Manual reset.

OPTIONS

Expansion Valve Kits

Must be ordered extra and field installed on certain indoor units. See AHRI Ratings tables.
Chatleff-style fittings.

Loss of Charge Kit

Helps protect the compressor from damage due to low refrigerant charge conditions.
SPST, normally-closed switch, automatic reset switch mounted on suction line.

Refrigerant Line Kits

Refrigerant lines (suction & liquid) are shipped refrigeration clean. Lines are cleaned, dried, pressurized and sealed at factory.
Suction line fully insulated.
Lines are stubbed at both ends.
Not available for -060 models and must be field fabricated.

COMPRESSOR

3 Scroll Compressor

Compressor features high efficiency with uniform suction flow, constant discharge flow and high volumetric efficiency and quiet operation.

Compressor consists of two involute spiral scrolls matched together to generate a series of crescent shaped gas pockets between them.

During compression, one scroll remains stationary while the other scroll orbits around it.

Gas is drawn into the outer pocket, the pocket is sealed as the scroll rotates.

As the spiral movement continues, gas pockets are pushed to the center of the scrolls. Volume between the pockets is simultaneously reduced.

When pocket reaches the center, gas is now at high pressure and is forced out of a port located in the center of the fixed scrolls.

During compression, several pockets are compressed simultaneously resulting in a smooth continuous compression cycle.

Continuous flank contact, maintained by centrifugal force, minimizes gas leakage and maximizes efficiency.

Scroll compressor is tolerant to the effects of slugging and contaminants. If this occurs, scrolls separate, allowing liquid or contaminants to be worked toward the center and discharged.

Low gas pulses during compression reduces operational sound levels.

Compressor motor is internally protected from excessive current and temperature.

Compressor is installed in the unit on resilient rubber mounts for vibration free operation.

Compressor Crankcase Heater

Protects against refrigerant migration that can occur during low ambient operation.

OPTIONS

Compressor Low Ambient Cut-Off

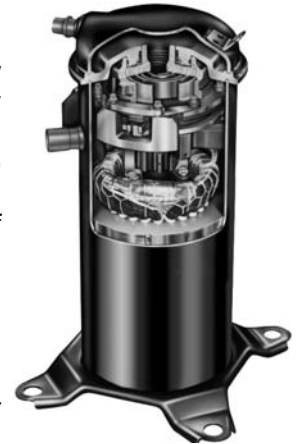
Non-adjustable switch (low ambient cut-out) prevents compressor operation when outdoor temperature is below 35°F.

Compressor Sound Cover

A reinforced vinyl compressor cover containing a 1-1/2 inch thick batt of fiberglass insulation.
All open edges are sealed with a one-inch wide hook and loop fastening tape.

Compressor Timed-Off Control

Kit prevents compressor short-cycling and allows time for suction and discharge pressure to equalize.
Permits compressor start-up in an unloaded condition.
Automatic reset with 5 minute delay between compressor shut-off and start-up.



FEATURES

4 CABINET

Heavy gauge steel cabinet with five station metal wash process.

Powder paint finish provides superior rust and corrosion protection.

Painted base section.

Control box is conveniently located with all controls factory wired.

Corner patch plate allows access to compressor components.

Drainage holes are provided in base section for moisture removal.

5 Refrigerant Line Connections, Electrical Inlets, Service Valves

Sweat connection suction and liquid lines are located on corner of unit cabinet.

Fully serviceable brass service valves prevent corrosion and provide access to refrigerant system. Suction valve can be fully shut off, while liquid valve may be front seated to manage refrigerant charge while servicing system.

Refrigerant line connections and field wiring inlets are located in one central area of cabinet for easy access. See dimension drawing.

OPTIONS

Hail Guards

Constructed of louvered heavy gauge steel painted to match cabinet.

Surrounds unit on all four sides to prevent damage to the coil.

Mounting Base

Provides permanent foundation for outdoor units.

High density polyethylene structural material is lightweight, sturdy, sound absorbing and will withstand the rigors of the sun, heat, cold, moisture, oil and refrigerant. Will not mildew or rot.

Can be shipped singly or in packages of 6 to a carton.

Unit Stand-Off Kit

Black high density polyethylene feet are available to raise unit off of mounting surface away from damaging moisture.

Four feet are furnished per order number.

CONTROLS

OPTIONS

L Connection® Commercial Building Automation System

See L Connection Engineering Handbook Bulletin in Controls section for details.

Low Ambient Control

Air conditioners operate satisfactorily down to 45°F outdoor air temperature without any additional controls.

The Low Ambient Control Kit allows unit operation down to 30°F.

Freezestat should be installed on compressors equipped with a low ambient kit.

A compressor lock-out thermostat should be added to terminate compressor operation below recommended operation conditions.

Freezestat

Installs on or near the vapor line of the indoor coil or on the suction line.

Senses suction line temperature and cycles the compressor off when suction line temperature falls below its setpoint.

Opens at 29°F and closes at 58°F.

Time Delay Relay Kit

Delays the indoor blower-off time during the cooling cycle. See AHRI Rating Tables for usage.

OPTIONAL CONVENTIONAL TEMPERATURE CONTROL SYSTEMS - FIELD INSTALLED

COMMERCIAL TOUCHSCREEN THERMOSTAT



Intuitive Touchscreen Interface - **Two Stage Heating / Two Stage Cooling Conventional or Heat Pump** - Seven Day Programmable - Four Time Periods/Day - Economizer Output - Title 24 Compliant - ENERGY STAR® Qualified - Backlit Display - Automatic Changeover C0STAT02AE1L

Sensors For Touchscreen Thermostat

- ¹ Remote non-adjustable wall mount 20k temperature sensor C0SNZN01AE1-
- ¹ Remote non-adjustable wall mount 10k averaging temperature sensor . . . C0SNZN73AE1-
- ¹ Remote non-adjustable duct mount temperature sensor C0SNDC00AE1-
- Outdoor temperature sensor C0SNSR03AE1-

Accessories For Touchscreen Thermostat

- Locking cover (clear) C0MISC15AE1-

¹ Remote sensors for C0STAT02AE1L can be applied in the following combinations: (1) C0SNZN01AE1-, (2) C0SNZN73AE1-, (2) C0SNZN01AE1- and (1) C0SNZN73AE1-, (4) C0SNZN01AE1-, (3) C0SNZN01AE1- and (2) C0SNZN73AE1.

DIGITAL NON-PROGRAMMABLE THERMOSTATS



Intuitive Interface - Automatic Changeover - Simple Up and Down Temperature Control

Two-stage heating / cooling conventional systems C0STAT10AE1L

Sensor For Digital Non-Programmable Thermostats Above

- Remote wall mounted temperature sensor C0SNZN00AE1-



Intuitive Interface - Automatic Changeover - Backlit Display - Simple Up and Down Temperature Control

One-stage heating / cooling conventional systems C0STAT12AE1L

Sensor For Digital Non-Programmable Thermostats Above

- Outdoor temperature sensor C0SNSR04AE1-

Accessories For Digital Non-Programmable Thermostats Above

- Optional wall mounting plate C0MISC17AE1-

SPECIFICATIONS

General Data		Model No.	TSA036S4	TSA042S4	TSA048S4	TSA060S4
		Nominal Tonnage	3	3.5	4	5
Connections (sweat)	Liquid line o.d. - in.		3/8	3/8	3/8	3/8
	Suction line o.d. - in.		7/8	7/8	7/8	1-1/8
¹ Refrigerant (R-410A) furnished			5 lbs. 9 oz.	6 lbs. 6 oz.	7 lbs. 8 oz.	10 lbs. 0 oz.
Outdoor Coil	Net face area - sq. ft.	Outer coil	13.22	16.32	21.00	18.67
		Inner coil	---	---	---	17.96
	Tube diameter - in.		5/16	5/16	5/16	5/16
	Fins per inch - No. of rows		26 - 1	26 - 1	26 - 1	22 - 2
Outdoor Fan	Diam. - in. - No. of blades		18 - 4	22 - 4	22 - 4	22 - 4
	Motor hp		208/230V - 1/5 460/575V - 1/6	1/4	1/4	1/4
	Cfm		2400	3500	3670	3600
	Rpm		1090	825	825	830
	Watts		185	300	295	285
	Shipping Data - lbs. 1 package			135	178	194

ELECTRICAL DATA

Line voltage data - 60 hz - 3ph		208/230V	460V	575V	208/230V	460V	208/230V	460V	575V	208/230V	460V	575V
² Maximum overcurrent protection (amps)		20	15	15	30	15	30	15	15	35	15	15
³ Minimum circuit ampacity		14.2	7.8	5.3	18.6	8.4	18.8	8.8	7.0	21.3	10.7	8.3
Compressor	Rated load amps	10.4	5.8	3.8	13.5	6.0	13.7	6.2	4.8	15.6	7.8	5.8
	Power factor	.85	.84	.83	.83	.81	.90	.92	.88	.90	.91	.90
	Locked rotor amps	73	38	37	88	44	83.1	41	30.4	110	52	35.5
Outdoor Fan Motor	Full load amps	1.1	.55	.55	1.7	1.0	1.7	1.0	1.0	1.7	1.0	1.0
	Locked rotor amps	1.9	1.1	1.1	3.1	2.3	3.1	2.3	2.3	3.1	2.3	2.3

OPTIONAL ACCESSORIES - MUST BE ORDERED EXTRA

Compressor Low Ambient Cut-Off	45F08	•	•	•	•
Compressor Sound Cover	69J03	•	•	•	•
Compressor Time-Off Control	47J27	•	•	•	•
Freezestat	3/8 in. tubing	93G35	•	•	•
	5/8 in. tubing	50A93	•	•	•
Hail Guards	92M88	•			
	92M89				
	92M92				
	92M93		•		
	92M90			•	
	12W21				•
Loss of Charge Kit	84M23	•	•	•	•
Low Ambient Control Option - See Table on Next Page		•	•	not available	not available
⁴ Low Ambient Kit (down to 30°F)	34M72	•	•	•	•
Mounting Base	69J06	•			
	69J07		•	•	•
Refrigerant Line Sets	L15-65-30, L15-65-40, L15-65-50	•	•	•	
	Field Fabricate				•
Time Delay Relay Kit	58M81	•	•	•	•
Unit Stand-Off Kit	94J45	•	•	•	•

NOTE — Extremes of operating range are plus 10% and minus 5% of line voltage.

¹ Refrigerant charge sufficient for 15 ft. length of refrigerant lines.

² HACR type circuit breaker or fuse.

³ Refer to National or Canadian Electrical Code manual to determine wire, fuse and disconnect size requirements.

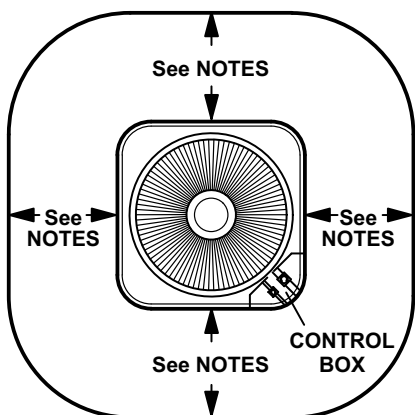
⁴ Freezestat is recommended with Low Ambient Kit.

LOW AMBIENT CONTROL OPTION (Down to 0°F)

Order one each: Speed Control Kit, Weatherproof Kit, Outdoor Fan Motor and Capacitor

Model No.		TSA036S4	TSA042S4	TSA048S4	TSA060S4
Speed Control Kit	X5867	•	•	Not Available	Not Available
Weatherproof Kit	56N41	•	•		
Outdoor Fan Motor	1/2 HP - 208/230V	69H75	•		
	460V & 575V	69H76	•		
Capacitor	with bracket	53H06	•		

INSTALLATION CLEARANCES - INCHES (MM)



NOTES:

Service clearance of 30 in. (762 mm) must be maintained on one of the sides adjacent to the control box.

Clearance to one of the other three sides must be 36 in. (914 mm)

Clearance to one of the remaining two sides may be 12 in. (305 mm) and the final side may be 6 in. (152 mm).

A clearance of 24 in. (610 mm) must be maintained between two units.

48 in. (1219 mm) clearance required on top of unit.

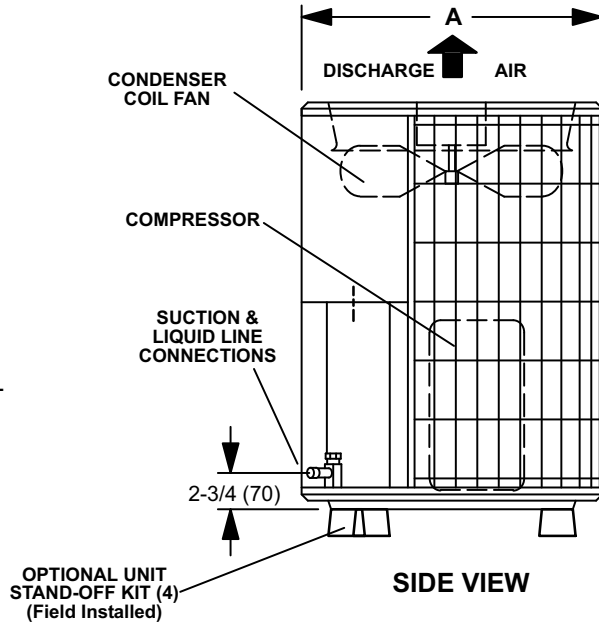
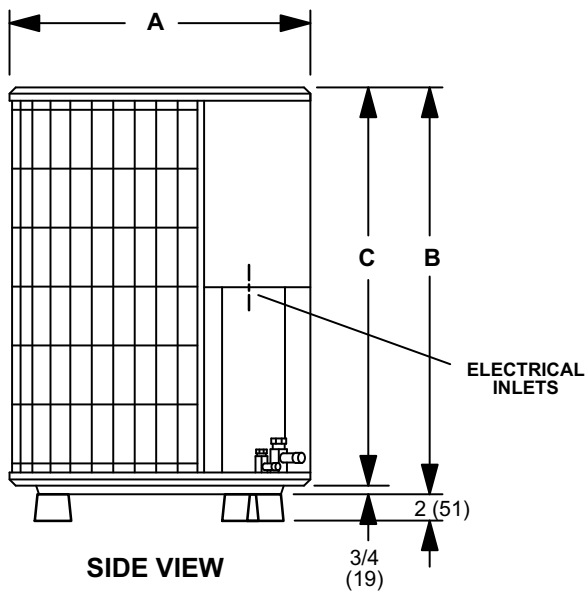
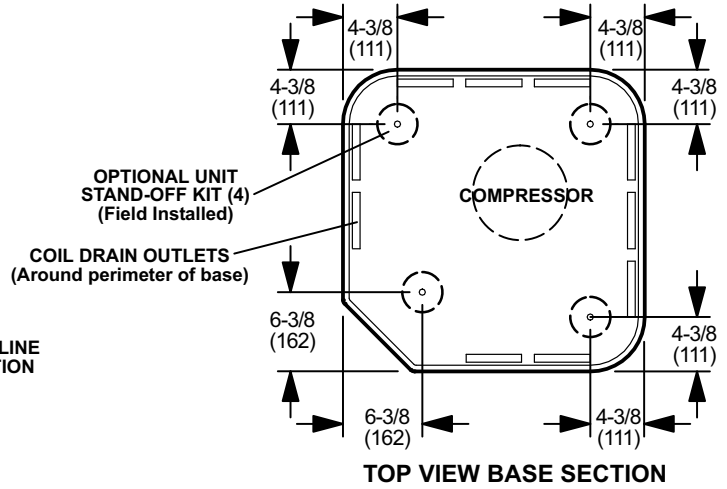
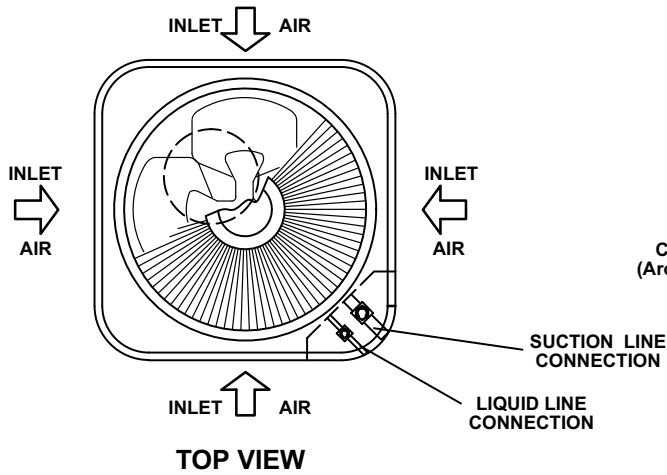
OUTDOOR SOUND DATA

1 Unit Model No.	Octave Band Sound Power Levels dBA, re 10 ⁻¹² Watts Center Frequency - HZ							1 Sound Rating Number (dB)
	125	250	500	1000	2000	4000	8000	
TSA036S4	70.5	67.5	69.5	72.5	69.5	63	59	76
TSA042S4	74	76.5	76.5	75.5	72	68	63.5	80
TSA048S4	73.5	76	76	76.5	72.5	69.5	64.5	80
TSA060S4	73.5	74.5	77	75	72	69	64.5	80

NOTE - the octave sound power data does not include tonal correction.

¹ Tested according to AHRI Standard 270 test conditions.

DIMENSIONS - INCHES (MM)



Model No.	A		B		C	
	in.	mm	in.	mm	in.	mm
TSA036S4	24-1/4	616	29-1/4	743	28-1/2	724
TSA042S4	28-1/4	718	29-1/4	743	28-1/2	724
TSA048S4	28-1/4	718	37-1/4	946	36-1/4	921
TSA060S4	28-1/4	718	33-1/4	845	32-1/2	826

AHRI RATINGS - INDOOR COIL / AIR HANDLER SUBSTITUTION

Substituting Coils in the AHRI Tables

Most R-22 and R-410A indoor coils and air handlers are the same except for the factory installed expansion device. C33 coils can be used in place of the CX34 coils, CB26UH-R, CB27UH, and CB30M air handlers can be used in place of the CBX26UH, CBX27UH, and CBX32M, respectively.

The expansion device is based on the size of the outdoor unit. The factory installed RFC or TXV on the C33/CB26UH-R/CB27UH/CB30M must be replaced to correspond to the outdoor unit. The correct TXV's are:

1.5-3 ton air conditioners	37L51
3.5 ton air conditioners	39L72
4-5 ton air conditioners	91M02

Example:

A four-ton air conditioner is being installed. The AHRI table shows that CBX32M-048 is a matching air handler. A CB30M-51 with a 91M02 TXV can be used in its place.

UP-FLOW COILS	
R-410A	R-22
CX34-18/24A-6F	= C33-24A-2
CX34-18/24B-6F	= C33-24B-2
CX34-18/24C-6F	= C33-24C-2
CX34-19A-6F	= C33-19A-2
CX34-25A-6F	= C33-25A-2
CX34-25B-6F	= C33-25B-2
CX34-30A-6F	= C33-30A-2
CX34-30B-6F	= C33-30B-2
CX34-30C-6F	= C33-30C-2
CX34-31A-6F	= C33-31A-2
CX34-31B-6F	= C33-31B-2
CX34-36A-6F	= C33-36A-2
CX34-36B-6F	= C33-36B-2
CX34-36C-6F	= C33-36C-2
CX34-38A-6F	= C33-38A-2
CX34-38B-6F	= C33-38B-2
CX34-42B-6F	= C33-42B-2
CX34-43B-6F	= C33-43B-2
CX34-43C-6F	= C33-43C-2
no equivalent	C33-44C-2
CX34-44/48B-6F	= C33-48B-2
CX34-44/48C-6F	= C33-48C-2
CX34-49C-6F	= C33-49C-2
CX34-50/60C-6F	= C33-50/60C-2
CX34-60D-6F	= C33-60D-2
CX34-62C-6F	= C33-62C-2
CX34-62D-6F	= C33-62D-2

AIR HANDLERS	
R-410A	R-22
CBX26UH-018	= CB26UH-018-R
CBX26UH-024	= CB26UH-024-R
CBX26UH-030	= CB26UH-030-R
CBX26UH-036	= CB26UH-036-R
CBX26UH-042	= CB26UH-042-R
CBX26UH-048	= CB26UH-048
CBX26UH-060	= CB26UH-060-R
CBX27UH-018/024	= CB27UH-018/024
CBX27UH-030	= CB27UH-030
CBX27UH-036	= CB27UH-036
CBX27UH-042	= CB27UH-042
CBX27UH-048	= CB27UH-048
CBX27UH-060	= CB27UH-060
CBX32M-018/024	= CB30M-21/26
CBX32M-030	= CB30M-31
CBX32M-036	= CB30M-41
CBX32M-042	= CB30M-46
CBX32M-048	= CB30M-51
CBX32M-060	= CB30M-65
CBX32MV-all	no equivalent

AHRI RATINGS

Model	Cooling Btuh	SEER	EER	Coil or Air Handler	Furnace	Expansion Device
Upflow Indoor Coils						
TSA036S4	33,800	13.00	10.90	* CX34-38B-6F		Factory TXV
TSA036S4	34,600	13.00	11.00	CX34-50/60C-6F		37L51
TSA036S4	34,800	13.00	11.00	CX34-43B-6F		37L51
Upflow Indoor Coils + Furnace						
TSA036S4	34,400	13.50	11.50	CX34-36C-6F	G61MPV-36C-090	Factory TXV
TSA036S4	34,400	13.50	11.50	CX34-36C-6F	G71MPP-36C-090	Factory TXV
TSA036S4	34,800	14.00	11.60	CX34-38B-6F	G61MPV-36B-070	Factory TXV
TSA036S4	34,800	14.00	11.60	CX34-38B-6F	G71MPP-36B-070	Factory TXV
TSA036S4	35,000	13.50	11.60	CX34-38A-6F	G60UHV-36A-070	Factory TXV
TSA036S4	35,000	13.50	11.60	CX34-38B-6F	G61MPV-36B-045	Factory TXV
TSA036S4	35,200	14.00	11.60	CX34-38B-6F	G60UHV-36B-090	Factory TXV
TSA036S4	35,200	14.00	11.60	CX34-43B-6F	G61MPV-36B-045	37L51
TSA036S4	35,200	14.00	11.60	CX34-43B-6F	G61MPV-36B-070	37L51
TSA036S4	35,200	14.00	11.60	CX34-43B-6F	G71MPP-36B-070	37L51
TSA036S4	35,600	14.00	11.60	CX34-43B-6F	G61MPV-36B-071	37L51
TSA036S4	35,600	14.00	11.60	CX34-50/60C-6F	G61MPV-60C-090	37L51
TSA036S4	35,600	14.00	11.60	CX34-50/60C-6F	G71MPP-60C-090	37L51
TSA036S4	35,600	14.00	12.00	CX34-43B-6F	G60UHV-36B-090	37L51
TSA036S4	35,600	14.00	12.00	CX34-50/60C-6F	G60UHV-60C-110	37L51
TSA036S4	36,400	14.00	11.60	CX34-50/60C-6F	G61MPV-60C-091	37L51
TSA036S4	36,400	14.00	11.60	CX34-50/60C-6F	G61MPV-60C-111	37L51
Downflow Indoor Coils						
TSA036S4	34,000	13.00	11.00	CR33-48B-F		37L51
Downflow Indoor Coils + Furnace						
TSA036S4	33,400	13.50	11.00	CR33-48B-F	G61MPV-36B-070	37L51
TSA036S4	33,400	13.50	11.00	CR33-48B-F	G71MPP-36B-070	37L51
TSA036S4	33,600	13.00	11.00	CR33-48B-F	G61MPV-36B-045	37L51
TSA036S4	33,800	14.00	11.60	CR33-48B-F	G60DFV-36B-090	37L51
TSA036S4	34,200	13.50	11.00	CR33-48B-F	G61MPV-36B-071	37L51
TSA036S4	34,800	13.50	11.50	CR33-30/36C-F	G61MPV-36C-090	37L51
TSA036S4	34,800	13.50	11.50	CR33-30/36C-F	G71MPP-36C-090	37L51
Horizontal Indoor Coils						
TSA036S4	34,600	13.00	11.00	CH33-44/48B-2F		37L51
TSA036S4	34,800	13.00	11.00	CH33-48C-2F		37L51
TSA036S4	36,200	13.50	11.00	CH33-43B-2F		37L51
Horizontal Indoor Coils + Furnace						
TSA036S4	33,800	13.50	11.00	CH23-51	G61MPV-36B-070	37L51
TSA036S4	33,800	13.50	11.00	CH23-51	G71MPP-36B-070	37L51
TSA036S4	34,000	13.00	11.00	CH23-51	G61MPV-36B-045	37L51
TSA036S4	34,200	14.00	11.60	CH23-51	G60UHV-36B-090	37L51
TSA036S4	34,800	13.50	11.50	CH33-44/48B-2F	G61MPV-36B-070	37L51
TSA036S4	34,800	13.50	11.50	CH33-44/48B-2F	G71MPP-36B-070	37L51

NOTES:

Ratings are certified in accordance with USE certification program which is based on AHRI Standard 210/240; 95°F outdoor air temperature, 80°F db / 67°F wb entering evaporator air with 25 ft. of connecting refrigerant lines.

All ratings include the use of a blower time-off delay. All Lennox variable-speed furnaces and Air Handlers have time-off delay capabilities. Other furnaces and Air Handlers may require an optional time delay relay (58M81) for field installation. See furnace or air handler specifications to determine if relay is needed.

Expansion Devices – If "Factory TXV" is listed, no change is required. If a catalog number is listed, the factory installed RFC or expansion valve on the indoor coil must be replaced with the expansion valve (ordered separately) or RFC (shipped with air conditioner) listed.

*Most popular combination.

AHRI RATINGS

Model	Cooling Btuh	SEER	EER	Coil or Air Handler	Furnace	Expansion Device
TSA036S4	35,000	13.50	11.00	CH33-44/48B-2F	G61MPV-36B-045	37L51
TSA036S4	35,200	13.50	11.50	CH33-44/48B-2F	G61MPV-36B-071	37L51
TSA036S4	35,200	14.00	11.60	CH33-44/48B-2F	G60UHV-36B-090	37L51
TSA036S4	35,600	14.00	11.60	CH33-48C-2F	G61MPV-60C-090	37L51
TSA036S4	35,600	14.00	11.60	CH33-48C-2F	G61MPV-60C-110	37L51
TSA036S4	35,600	14.00	11.60	CH33-48C-2F	G71MPP-60C-090	37L51
TSA036S4	35,600	14.00	11.60	CH33-48C-2F	G71MPP-60C-110	37L51

Air Handlers

TSA036S4	33,600	13.00	11.00	CBX32M-030		Factory TXV
TSA036S4	34,000	13.00	11.00	CBX26UH-036		Factory TXV
TSA036S4	34,200	12.80	10.70	CB29M-46		37L51
TSA036S4	34,200	13.50	11.00	CBX32M-036		Factory TXV
TSA036S4	34,200	13.50	11.00	CBX32M-042		37L51
TSA036S4	34,600	14.00	11.60	CBX32MV-036		Factory TXV
TSA036S4	34,600	14.00	11.60	CBX40UHV-036		Factory TXV
TSA036S4	35,200	13.50	11.50	CBX32M-048		37L51
TSA036S4	35,600	14.00	12.00	CBX32MV-048		37L51
TSA036S4	35,600	14.00	12.00	CBX40UHV-048		37L51
TSA036S4	36,200	14.00	12.00	CBX27UH-042		37L51
TSA036S4	36,200	14.00	12.00	CBX40UHV-042		37L51

Upflow Indoor Coils

TSA042S4	40,000	13.00	10.80	CX34-38A/B-6F		39L72
TSA042S4	40,000	13.00	10.80	CX34-50/60C-6F		39L72
TSA042S4	40,500	13.00	10.90	* CX34-43B/C-6F		Factory TXV
TSA042S4	41,000	13.00	11.00	CX34-49C-6F		39L72

Upflow Indoor Coils + Furnace

TSA042S4	40,500	13.00	11.00	CX34-38B-6F	G71MPP-36B-070	39L72
TSA042S4	40,500	13.00	11.00	CX34-38B-6F	G61MPV-36B-070	39L72
TSA042S4	40,500	13.50	11.00	CX34-38B-6F	G60UHV-36B-090	39L72
TSA042S4	40,500	14.00	11.50	CX34-50/60C-6F	G60UHV-60C-090	39L72
TSA042S4	41,000	13.00	11.00	CX34-43B-6F	G71MPP-36B-070	Factory TXV
TSA042S4	41,000	13.00	11.00	CX34-43B-6F	G61MPV-36B-070	Factory TXV
TSA042S4	41,000	13.50	11.00	CX34-50/60C-6F	G61MPV-60C-090	39L72
TSA042S4	41,000	13.50	11.00	CX34-50/60C-6F	G71MPP-60C-090	39L72
TSA042S4	41,000	13.50	11.50	CX34-49C-6F	G61MPV-60C-090	39L72
TSA042S4	41,000	13.50	11.50	CX34-49C-6F	G71MPP-60C-090	39L72
TSA042S4	41,000	14.00	11.50	CX34-49C-6F	G60UHV-60C-090	39L72
TSA042S4	41,000	14.00	11.50	CX34-43C-6F	G60UHV-60C-090	Factory TXV
TSA042S4	41,000	14.00	11.50	CX34-49C-6F	G60UHV-60C-110	39L72
TSA042S4	41,000	14.00	11.50	CX34-49C-6F	G71MPP-60C-110	39L72
TSA042S4	41,000	14.00	11.50	CX34-49C-6F	G61MPV-60C-110	39L72
TSA042S4	41,000	14.00	11.50	CX34-50/60C-6F	G60UHV-60C-110	39L72
TSA042S4	41,000	14.00	11.50	CX34-43C-6F	G60UHV-60C-110	Factory TXV

NOTES:

Ratings are certified in accordance with USE certification program which is based on AHRI Standard 210/240; 95°F outdoor air temperature, 80°F db / 67°F wb entering evaporator air with 25 ft. of connecting refrigerant lines.

All ratings include the use of a blower time-off delay. All Lennox variable-speed furnaces and Air Handlers have time-off delay capabilities. Other furnaces and Air Handlers may require an optional time delay relay (58M81) for field installation. See furnace or air handler specifications to determine if relay is needed.

Expansion Devices – If "Factory TXV" is listed, no change is required. If a catalog number is listed, the factory installed RFC or expansion valve on the indoor coil must be replaced with the expansion valve (ordered separately) or RFC (shipped with air conditioner) listed.

*Most popular combination.

AHRI RATINGS

Model	Cooling Btuh	SEER	EER	Coil or Air Handler	Furnace	Expansion Device
TSA042S4	41,000	14.00	11.50	CX34-50/60C-6F	G71MPP-60C-110	39L72
TSA042S4	41,000	14.00	11.50	CX34-50/60C-6F	G61MPV-60C-110	39L72
TSA042S4	41,000	14.00	11.50	CX34-43B-6F	G60UHV-36B-090	Factory TXV
TSA042S4	41,000	14.00	11.50	CX34-43C-6F	G71MPP-60C-110	Factory TXV
TSA042S4	41,000	14.00	11.50	CX34-43C-6F	G61MPV-60C-110	Factory TXV
TSA042S4	41,500	13.50	11.50	CX34-43C-6F	G71MPP-60C-090	Factory TXV
TSA042S4	41,500	13.50	11.50	CX34-43C-6F	G61MPV-60C-090	Factory TXV

Downflow Indoor Coils

TSA042S4	40,000	13.00	10.80	CR33-50/60C-F		39L72
TSA042S4	40,000	13.00	10.80	CR33-60D-F		39L72

Downflow Indoor Coils + Furnace

TSA042S4	40,500	14.00	11.50	CR33-50/60C-F	G60DFV-60C-090	39L72
TSA042S4	40,500	14.00	11.50	CR33-50/60C-F	G71MPP-60C-110	39L72
TSA042S4	40,500	14.00	11.50	CR33-50/60C-F	G61MPV-60C-110	39L72
TSA042S4	41,000	14.00	11.50	CR33-60D-F	G60DFV-60D-135	39L72
TSA042S4	41,000	14.00	11.50	CR33-60D-F	G71MPP-60D-135	39L72
TSA042S4	41,000	14.00	11.50	CR33-60D-F	G61MPV-60D-135	39L72
TSA042S4	41,000	14.00	11.50	CR33-50/60C-F	G60DFV-60C-110	39L72
TSA042S4	41,000	14.00	11.50	CR33-50/60C-F	G71MPP-60C-090	39L72
TSA042S4	41,000	14.00	11.50	CR33-50/60C-F	G61MPV-60C-090	39L72

Horizontal Indoor Coils

TSA042S4	39,500	13.00	10.70	CH23-65		39L72
TSA042S4	40,000	13.00	10.80	CH33-48C-2F		39L72
TSA042S4	41,000	13.00	11.00	CH33-43B/C-2F		39L72
TSA042S4	41,000	13.00	11.00	CH33-49C-2F		39L72
TSA042S4	41,000	13.00	11.00	CH33-50/60C-2F		39L72

Horizontal Indoor Coils + Furnace

TSA042S4	40,500	13.50	11.00	CH23-65	G60UHV-60C-090	39L72
TSA042S4	40,500	13.50	11.00	CH23-65	G71MPP-60C-090	39L72
TSA042S4	40,500	13.50	11.00	CH23-65	G61MPV-60C-090	39L72
TSA042S4	41,000	13.50	11.00	CH33-43C-2F	G71MPP-36C-090	39L72
TSA042S4	41,000	13.50	11.00	CH33-43C-2F	G61MPV-36C-090	39L72
TSA042S4	41,000	13.50	11.50	CH33-43C-2F	G71MPP-60C-090	39L72
TSA042S4	41,000	13.50	11.50	CH33-43C-2F	G61MPV-60C-090	39L72
TSA042S4	41,000	13.50	11.00	CH33-43C-2F	G61MPV-60C-111	39L72
TSA042S4	41,000	13.50	11.00	CH33-48C-2F	G71MPP-60C-090	39L72
TSA042S4	41,000	13.50	11.00	CH33-48C-2F	G61MPV-60C-090	39L72
TSA042S4	41,000	13.50	11.50	CH33-48C-2F	G71MPP-60C-110	39L72
TSA042S4	41,000	13.50	11.50	CH33-48C-2F	G61MPV-60C-110	39L72
TSA042S4	41,000	14.00	11.50	CH33-43C-2F	G60UHV-60C-090	39L72
TSA042S4	41,000	14.00	11.50	CH33-43C-2F	G60UHV-60C-110	39L72
TSA042S4	41,000	14.00	11.50	CH33-43C-2F	G71MPP-60C-110	39L72
TSA042S4	41,000	14.00	11.50	CH33-43C-2F	G61MPV-60C-110	39L72

NOTES:

Ratings are certified in accordance with USE certification program which is based on AHRI Standard 210/240; 95°F outdoor air temperature, 80°F db / 67°F wb entering evaporator air with 25 ft. of connecting refrigerant lines.

All ratings include the use of a blower time-off delay. All Lennox variable-speed furnaces and Air Handlers have time-off delay capabilities. Other furnaces and Air Handlers may require an optional time delay relay (58M81) for field installation. See furnace or air handler specifications to determine if relay is needed.

Expansion Devices – If "Factory TXV" is listed, no change is required. If a catalog number is listed, the factory installed RFC or expansion valve on the indoor coil must be replaced with the expansion valve (ordered separately) or RFC (shipped with air conditioner) listed.

*Most popular combination.

AHRI RATINGS

Model	Cooling Btuh	SEER	EER	Coil or Air Handler	Furnace	Expansion Device
TSA042S4	41,500	13.00	10.90	CH33-43B-2F	G61MPV-36B-045	39L72
TSA042S4	41,500	13.00	11.00	CH33-43B-2F	G71MPP-36B-070	39L72
TSA042S4	41,500	13.00	11.00	CH33-43B-2F	G61MPV-36B-070	39L72
TSA042S4	41,500	13.00	11.00	CH33-43B-2F	G61MPV-36B-071	39L72
TSA042S4	41,500	13.50	11.50	CH33-43B-2F	G60UHV-36B-090	39L72
TSA042S4	41,500	13.50	11.00	CH33-43C-2F	G61MPV-60C-091	39L72
TSA042S4	41,500	13.50	11.00	CH33-49C-2F	G71MPP-36C-090	39L72
TSA042S4	41,500	13.50	11.00	CH33-49C-2F	G61MPV-36C-090	39L72
TSA042S4	41,500	13.50	11.50	CH33-49C-2F	G71MPP-60C-090	39L72
TSA042S4	41,500	13.50	11.50	CH33-49C-2F	G61MPV-60C-090	39L72
TSA042S4	41,500	13.50	11.00	CH33-49C-2F	G61MPV-60C-091	39L72
TSA042S4	41,500	13.50	11.50	CH33-50/60C-2F	G71MPP-60C-110	39L72
TSA042S4	41,500	13.50	11.50	CH33-50/60C-2F	G61MPV-60C-110	39L72
TSA042S4	41,500	13.50	11.50	CH33-50/60C-2F	G71MPP-60C-090	39L72
TSA042S4	41,500	13.50	11.50	CH33-50/60C-2F	G61MPV-60C-090	39L72
TSA042S4	41,500	14.00	11.50	CH33-49C-2F	G60UHV-60C-090	39L72
TSA042S4	41,500	14.00	11.50	CH33-49C-2F	G60UHV-60C-110	39L72
TSA042S4	41,500	14.00	11.50	CH33-49C-2F	G61MPV-60C-110	39L72
TSA042S4	41,500	14.00	11.50	CH33-49C-2F	G71MPP-60C-110	39L72
TSA042S4	41,500	14.00	11.50	CH33-49C-2F	G61MPV-60C-111	39L72
TSA042S4	41,500	14.00	11.50	CH33-50/60C-2F	G60UHV-60C-090	39L72
Air Handlers						
TSA042S4	38,500	12.50	10.50	CB29M-46		39L72
TSA042S4	39,500	13.00	10.90	CBX32M-042		39L72
TSA042S4	39,500	13.00	10.90	CBX32M-036		39L72
TSA042S4	40,000	13.00	11.00	CBX26UH-042		Factory TXV
TSA042S4	41,000	13.00	11.00	CBX32M-048		39L72
TSA042S4	41,000	14.00	11.50	CBX27UH-048		39L72
TSA042S4	41,500	14.00	11.50	CBX32MV-048		39L72
TSA042S4	41,500	14.00	11.50	CBX40UHV-048		39L72
TSA042S4	41,500	14.00	11.50	CBX27UH-042		Factory TXV
TSA042S4	41,500	14.00	11.50	CBX40UHV-042		Factory TXV
Upflow Indoor Coils						
TSA048S4	47,000	13.00	11.00	CX34-38A/B-6F		91M02
TSA048S4	47,000	13.00	11.00	* CX34-50/60C-6F		Factory TXV
TSA048S4	47,500	13.00	11.00	CX34-43B/C-6F		91M02
TSA048S4	48,000	13.50	11.00	CX34-60D-6F		Factory TXV
TSA048S4	48,000	13.50	11.00	CX34-49C-6F		Factory TXV
TSA048S4	48,500	13.50	11.00	CX34-62D-6F		Factory TXV
TSA048S4	49,000	13.50	11.50	CX34-62C-6F		Factory TXV

NOTES:

Ratings are certified in accordance with USE certification program which is based on AHRI Standard 210/240; 95°F outdoor air temperature, 80°F db / 67°F wb entering evaporator air with 25 ft. of connecting refrigerant lines.

All ratings include the use of a blower time-off delay. All Lennox variable-speed furnaces and Air Handlers have time-off delay capabilities. Other furnaces and Air Handlers may require an optional time delay relay (58M81) for field installation. See furnace or air handler specifications to determine if relay is needed.

Expansion Devices – If "Factory TXV" is listed, no change is required. If a catalog number is listed, the factory installed RFC or expansion valve on the indoor coil must be replaced with the expansion valve (ordered separately) or RFC (shipped with air conditioner) listed.

*Most popular combination.

AHRI RATINGS

Model	Cooling Btuh	SEER	EER	Coil or Air Handler	Furnace	Expansion Device
Upflow Indoor Coils + Furnace						
TSA048S4	47,000	13.50	11.00	CX34-50/60C-6F	G61MPV-60C-110	Factory TXV
TSA048S4	47,000	13.50	11.00	CX34-50/60C-6F	G71MPP-60C-110	Factory TXV
TSA048S4	47,000	13.50	11.00	CX34-50/60C-6F	G61MPV-60C-090	Factory TXV
TSA048S4	47,000	13.50	11.00	CX34-50/60C-6F	G71MPP-60C-090	Factory TXV
TSA048S4	47,500	13.50	11.50	CX34-50/60C-6F	G60UHV-60C-110	Factory TXV
TSA048S4	47,500	13.50	11.50	CX34-50/60C-6F	G60UHV-60C-090	Factory TXV
TSA048S4	47,500	13.50	11.50	CX34-43C-6F	G71MPP-60C-110	91M02
TSA048S4	47,500	13.50	11.50	CX34-43C-6F	G61MPV-60C-110	91M02
TSA048S4	47,500	13.50	11.50	CX34-43C-6F	G71MPP-60C-090	91M02
TSA048S4	47,500	13.50	11.50	CX34-43C-6F	G61MPV-60C-090	91M02
TSA048S4	47,500	14.00	11.50	CX34-43C-6F	G60UHV-60C-110	91M02
TSA048S4	48,000	14.00	11.50	CX34-43C-6F	G60UHV-60C-090	91M02
TSA048S4	48,500	14.00	11.50	CX34-60D-6F	G61MPV-60D-135	Factory TXV
TSA048S4	48,500	14.00	11.50	CX34-60D-6F	G71MPP-60D-135	Factory TXV
TSA048S4	48,500	14.00	11.50	CX34-49C-6F	G60UHV-60C-110	Factory TXV
TSA048S4	48,500	14.00	11.50	CX34-49C-6F	G61MPV-60C-110	Factory TXV
TSA048S4	48,500	14.00	11.50	CX34-49C-6F	G71MPP-60C-110	Factory TXV
TSA048S4	48,500	14.00	11.50	CX34-49C-6F	G61MPV-60C-090	Factory TXV
TSA048S4	48,500	14.00	11.50	CX34-49C-6F	G71MPP-60C-090	Factory TXV
TSA048S4	48,500	14.00	12.00	CX34-60D-6F	G60UHV-60D-135	Factory TXV
TSA048S4	49,000	14.00	11.50	CX34-49C-6F	G60UHV-60C-090	Factory TXV
TSA048S4	49,000	14.00	11.50	CX34-62C-6F	G61MPV-60C-090	Factory TXV
TSA048S4	49,000	14.00	11.50	CX34-62C-6F	G71MPP-60C-090	Factory TXV
TSA048S4	49,000	14.00	12.00	CX34-62D-6F	G60UHV-60D-135	Factory TXV
TSA048S4	49,000	14.00	12.00	CX34-62D-6F	G61MPV-60D-135	Factory TXV
TSA048S4	49,000	14.00	12.00	CX34-62D-6F	G71MPP-60D-135	Factory TXV
TSA048S4	49,500	14.00	11.50	CX34-62C-6F	G60UHV-60C-090	Factory TXV
TSA048S4	49,500	14.00	11.50	CX34-62C-6F	G61MPV-60C-110	Factory TXV
TSA048S4	49,500	14.00	11.50	CX34-62C-6F	G71MPP-60C-110	Factory TXV
TSA048S4	49,500	14.00	12.00	CX34-62C-6F	G60UHV-60C-110	Factory TXV
Downflow Indoor Coils						
TSA048S4	47,000	13.50	11.50	CR33-50/60C-F		91M02
TSA048S4	47,000	13.50	11.50	CR33-60D-F		91M02
Downflow Indoor Coils + Furnace						
TSA048S4	46,500	13.50	11.00	CR33-60D-F	G61MPV-60D-135	91M02
TSA048S4	46,500	13.50	11.00	CR33-60D-F	G71MPP-60D-135	91M02
TSA048S4	46,500	13.50	11.00	CR33-50/60C-F	G60DFV-60C-110	91M02
TSA048S4	46,500	13.50	11.00	CR33-50/60C-F	G71MPP-60C-110	91M02
TSA048S4	46,500	13.50	11.00	CR33-50/60C-F	G61MPV-60C-110	91M02
TSA048S4	46,500	13.50	11.00	CR33-50/60C-F	G71MPP-60C-090	91M02
TSA048S4	46,500	13.50	11.00	CR33-50/60C-F	G61MPV-60C-090	91M02
TSA048S4	47,000	13.50	11.00	CR33-50/60C-F	G60DFV-60C-090	91M02

NOTES:

Ratings are certified in accordance with USE certification program which is based on AHRI Standard 210/240; 95°F outdoor air temperature, 80°F db / 67°F wb entering evaporator air with 25 ft. of connecting refrigerant lines.

All ratings include the use of a blower time-off delay. All Lennox variable-speed furnaces and Air Handlers have time-off delay capabilities. Other furnaces and Air Handlers may require an optional time delay relay (58M81) for field installation. See furnace or air handler specifications to determine if relay is needed.

Expansion Devices – If "Factory TXV" is listed, no change is required. If a catalog number is listed, the factory installed RFC or expansion valve on the indoor coil must be replaced with the expansion valve (ordered separately) or RFC (shipped with air conditioner) listed.

*Most popular combination.

AHRI RATINGS

Model	Cooling Btuh	SEER	EER	Coil or Air Handler	Furnace	Expansion Device
TSA048S4	47,000	13.50	11.50	CR33-60D-F	G60DFV-60D-135	91M02
Horizontal Indoor Coils						
TSA048S4	47,000	13.00	11.00	CH33-44/48B-2F		91M02
TSA048S4	47,000	13.00	11.00	CH33-48C-2F		91M02
TSA048S4	47,500	13.00	11.00	CH33-43C-2F		91M02
TSA048S4	47,500	13.00	11.00	CH33-60D-2F		91M02
TSA048S4	47,500	13.50	11.00	CH23-68		91M02
TSA048S4	48,000	13.50	11.00	CH33-49C-2F		91M02
TSA048S4	48,000	13.50	11.00	CH33-50/60C-2F		91M02
TSA048S4	48,000	13.50	11.00	CH33-62D-2F		91M02
Horizontal Indoor Coils + Furnace						
TSA048S4	47,500	13.50	11.00	CH33-43C-2F	G71MPP-60C-090	91M02
TSA048S4	47,500	13.50	11.00	CH33-43C-2F	G61MPV-60C-090	91M02
TSA048S4	47,500	13.50	11.00	CH33-43C-2F	G61MPV-60C-091	91M02
TSA048S4	47,500	13.50	11.00	CH33-43C-2F	G61MPV-60C-110	91M02
TSA048S4	47,500	13.50	11.00	CH33-43C-2F	G71MPP-60C-110	91M02
TSA048S4	47,500	13.50	11.00	CH33-43C-2F	G61MPV-60C-111	91M02
TSA048S4	47,500	13.50	11.00	CH33-48C-2F	G61MPV-60C-090	91M02
TSA048S4	47,500	13.50	11.00	CH33-48C-2F	G71MPP-60C-090	91M02
TSA048S4	47,500	13.50	11.00	CH33-48C-2F	G61MPV-60C-110	91M02
TSA048S4	47,500	13.50	11.00	CH33-48C-2F	G71MPP-60C-110	91M02
TSA048S4	47,500	13.50	11.50	CH33-48C-2F	G60UHV-60C-110	91M02
TSA048S4	47,500	13.50	11.50	CH33-48C-2F	G60UHV-60C-090	91M02
TSA048S4	48,000	13.50	11.50	CH33-43C-2F	G60UHV-60C-110	91M02
TSA048S4	48,000	13.50	11.50	CH33-50/60C-2F	G71MPP-60C-090	91M02
TSA048S4	48,000	13.50	11.50	CH33-50/60C-2F	G61MPV-60C-090	91M02
TSA048S4	48,000	13.50	11.50	CH33-50/60C-2F	G71MPP-60C-110	91M02
TSA048S4	48,000	13.50	11.50	CH33-50/60C-2F	G61MPV-60C-110	91M02
TSA048S4	48,000	14.00	11.50	CH33-43C-2F	G60UHV-60C-090	91M02
TSA048S4	48,000	14.00	11.50	CH33-60D-2F	G60UHV-60D-135	91M02
TSA048S4	48,000	14.00	11.50	CH23-68	G60UHV-60D-135	91M02
TSA048S4	48,000	14.00	11.50	CH33-60D-2F	G71MPP-60D-135	91M02
TSA048S4	48,000	14.00	11.50	CH33-60D-2F	G61MPV-60D-135	91M02
TSA048S4	48,000	14.00	11.50	CH23-68	G71MPP-60D-135	91M02
TSA048S4	48,000	14.00	11.50	CH23-68	G61MPV-60D-135	91M02
TSA048S4	48,000	14.00	11.50	CH33-50/60C-2F	G60UHV-60C-110	91M02
TSA048S4	48,500	13.50	11.00	CH33-49C-2F	G61MPV-60C-091	91M02
TSA048S4	48,500	13.50	11.50	CH33-62D-2F	G61MPV-60C-091	91M02
TSA048S4	48,500	14.00	11.50	CH33-49C-2F	G60UHV-60C-090	91M02
TSA048S4	48,500	14.00	11.50	CH33-49C-2F	G60UHV-60C-110	91M02
TSA048S4	48,500	14.00	11.50	CH33-49C-2F	G61MPV-60C-090	91M02
TSA048S4	48,500	14.00	11.50	CH33-49C-2F	G71MPP-60C-090	91M02
TSA048S4	48,500	14.00	11.50	CH33-49C-2F	G61MPV-60C-110	91M02

NOTES:

Ratings are certified in accordance with USE certification program which is based on AHRI Standard 210/240; 95°F outdoor air temperature, 80°F db / 67°F wb entering evaporator air with 25 ft. of connecting refrigerant lines.

All ratings include the use of a blower time-off delay. All Lennox variable-speed furnaces and Air Handlers have time-off delay capabilities. Other furnaces and Air Handlers may require an optional time delay relay (58M81) for field installation. See furnace or air handler specifications to determine if relay is needed.

Expansion Devices – If “Factory TXV” is listed, no change is required. If a catalog number is listed, the factory installed RFC or expansion valve on the indoor coil must be replaced with the expansion valve (ordered separately) or RFC (shipped with air conditioner) listed.

*Most popular combination.

AHRI RATINGS

Model	Cooling Btuh	SEER	EER	Coil or Air Handler	Furnace	Expansion Device
TSA048S4	48,500	14.00	11.50	CH33-49C-2F	G71MPP-60C-110	91M02
TSA048S4	48,500	14.00	11.50	CH33-49C-2F	G61MPV-60C-111	91M02
TSA048S4	48,500	14.00	11.50	CH33-50/60C-2F	G60UHV-60C-090	91M02
TSA048S4	48,500	14.00	11.50	CH33-62D-2F	G60UHV-60C-090	91M02
TSA048S4	48,500	14.00	11.50	CH33-62D-2F	G60UHV-60C-110	91M02
TSA048S4	48,500	14.00	11.50	CH33-62D-2F	G71MPP-60C-090	91M02
TSA048S4	48,500	14.00	11.50	CH33-62D-2F	G61MPV-60C-090	91M02
TSA048S4	48,500	14.00	11.50	CH33-62D-2F	G71MPP-60C-110	91M02
TSA048S4	48,500	14.00	11.50	CH33-62D-2F	G61MPV-60C-110	91M02
TSA048S4	48,500	14.00	11.50	CH33-62D-2F	G61MPV-60C-111	91M02
TSA048S4	48,500	14.00	12.00	CH33-62D-2F	G60UHV-60D-135	91M02
TSA048S4	48,500	14.00	11.50	CH33-62D-2F	G71MPP-60D-135	91M02
TSA048S4	48,500	14.00	11.50	CH33-62D-2F	G61MPV-60D-135	91M02
Air Handlers						
TSA048S4	45,000	12.30	10.20	CB29M-51		91M02
TSA048S4	47,500	13.50	11.00	CBX32M-048		Factory TXV
TSA048S4	47,500	14.00	11.50	CBX27UH-048		Factory TXV
TSA048S4	47,500	14.00	11.50	CBX27UH-060		Factory TXV
TSA048S4	48,000	13.50	11.50	CBX32MV-048		Factory TXV
TSA048S4	48,000	13.50	11.50	CBX40UHV-048		Factory TXV
TSA048S4	48,500	13.50	11.50	CBX32M-060		Factory TXV
TSA048S4	48,500	14.00	11.50	CBX32MV-060		Factory TXV
TSA048S4	48,500	14.00	11.50	CBX40UHV-060		Factory TXV
TSA048S4	48,500	14.00	11.50	CBX26UH-048		Factory TXV
TSA048S4	49,500	14.00	11.50	CBX32M-042		Factory TXV
Upflow Indoor Coils						
TSA060S4	59,000	13.00	11.00	* CX34-49C-6F		Factory TXV
TSA060S4	60,000	13.00	11.00	CX34-60D-6F		Factory TXV
TSA060S4	60,500	13.50	11.00	CX34-62D-6F		Factory TXV
TSA060S4	61,500	13.50	11.50	CX34-62C-6F		Factory TXV
Upflow Indoor Coils + Furnace						
TSA060S4	59,000	13.50	11.00	CX34-49C-6F	G60UHV-60C-110	Factory TXV
TSA060S4	59,000	13.50	11.00	CX34-49C-6F	G71MPP-60C-110	Factory TXV
TSA060S4	59,000	13.50	11.00	CX34-49C-6F	G61MPV-60C-110	Factory TXV
TSA060S4	59,500	13.50	11.00	CX34-49C-6F	G60UHV-60C-090	Factory TXV
TSA060S4	60,000	13.50	11.50	CX34-60D-6F	G61MPV-60D-135	Factory TXV
TSA060S4	60,000	13.50	11.50	CX34-60D-6F	G71MPP-60D-135	Factory TXV
TSA060S4	60,500	14.00	11.50	CX34-62D-6F	G61MPV-60D-135	Factory TXV
TSA060S4	60,500	14.00	11.50	CX34-62D-6F	G71MPP-60D-135	Factory TXV
TSA060S4	61,000	14.00	11.50	CX34-60D-6F	G60UHV-60D-135	Factory TXV
TSA060S4	61,500	14.00	11.50	CX34-62D-6F	G60UHV-60D-135	Factory TXV
TSA060S4	61,500	14.00	11.50	CX34-62C-6F	G60UHV-60C-110	Factory TXV
TSA060S4	61,500	14.00	11.50	CX34-62C-6F	G61MPV-60C-110	Factory TXV

NOTES:

Ratings are certified in accordance with USE certification program which is based on AHRI Standard 210/240; 95°F outdoor air temperature, 80°F db / 67°F wb entering evaporator air with 25 ft. of connecting refrigerant lines.

All ratings include the use of a blower time-off delay. All Lennox variable-speed furnaces and Air Handlers have time-off delay capabilities. Other furnaces and Air Handlers may require an optional time delay relay (58M81) for field installation. See furnace or air handler specifications to determine if relay is needed.

Expansion Devices – If "Factory TXV" is listed, no change is required. If a catalog number is listed, the factory installed RFC or expansion valve on the indoor coil must be replaced with the expansion valve (ordered separately) or RFC (shipped with air conditioner) listed.

*Most popular combination.

AHRI RATINGS

Model	Cooling Btuh	SEER	EER	Coil or Air Handler	Furnace	Expansion Device
TSA060S4	61,500	14.00	11.50	CX34-62C-6F	G71MPP-60C-110	Factory TXV
TSA060S4	62,000	13.50	11.50	CX34-62C-6F	G61MPV-60C-090	Factory TXV
TSA060S4	62,000	13.50	11.50	CX34-62C-6F	G71MPP-60C-090	Factory TXV
TSA060S4	62,000	14.00	11.50	CX34-62C-6F	G60UHV-60C-090	Factory TXV
Downflow Indoor Coils						
TSA060S4	58,500	13.00	11.00	CR33-60D-F		91M02
Downflow Indoor Coils + Furnace						
TSA060S4	59,000	13.50	11.00	CR33-60D-F	G61MPV-60D-135	91M02
TSA060S4	59,000	13.50	11.00	CR33-60D-F	G71MPP-60D-135	91M02
TSA060S4	59,500	13.50	11.00	CR33-60D-F	G60DFV-60D-135	91M02
Horizontal Indoor Coils						
TSA060S4	59,500	13.00	11.00	CH33-60D-2F		91M02
TSA060S4	60,000	13.00	11.00	CH33-50/60C-2F		91M02
TSA060S4	60,000	13.00	11.00	CH33-62D-2F		91M02
TSA060S4	60,500	13.50	11.00	CH23-68		91M02
Horizontal Indoor Coils + Furnace						
TSA060S4	59,500	13.50	11.50	CH33-60D-2F	G61MPV-60D-135	91M02
TSA060S4	59,500	13.50	11.50	CH33-60D-2F	G71MPP-60D-135	91M02
TSA060S4	60,000	13.00	11.00	CH33-62D-2F	G61MPV-60C-091	91M02
TSA060S4	60,000	13.50	11.00	CH33-50/60C-2F	G60UHV-60C-110	91M02
TSA060S4	60,000	13.50	11.00	CH33-50/60C-2F	G61MPV-60C-110	91M02
TSA060S4	60,000	13.50	11.00	CH33-50/60C-2F	G71MPP-60C-110	91M02
TSA060S4	60,000	13.50	11.50	CH33-62D-2F	G60UHV-60C-090	91M02
TSA060S4	60,000	13.50	11.50	CH33-62D-2F	G60UHV-60C-110	91M02
TSA060S4	60,000	13.50	11.00	CH33-62D-2F	G61MPV-60C-090	91M02
TSA060S4	60,000	13.50	11.00	CH33-62D-2F	G71MPP-60C-090	91M02
TSA060S4	60,000	13.50	11.50	CH33-62D-2F	G61MPV-60C-110	91M02
TSA060S4	60,000	13.50	11.50	CH33-62D-2F	G71MPP-60C-110	91M02
TSA060S4	60,000	13.50	11.00	CH33-62D-2F	G61MPV-60C-111	91M02
TSA060S4	60,000	13.50	11.50	CH33-62D-2F	G61MPV-60D-135	91M02
TSA060S4	60,000	13.50	11.50	CH33-62D-2F	G71MPP-60D-135	91M02
TSA060S4	60,500	13.50	11.00	CH33-50/60C-2F	G60UHV-60C-090	91M02
TSA060S4	60,500	13.50	11.50	CH33-60D-2F	G60UHV-60D-135	91M02
TSA060S4	61,000	14.00	11.50	CH33-62D-2F	G60UHV-60D-135	91M02
TSA060S4	61,000	14.00	11.50	CH23-68	G61MPV-60D-135	91M02
TSA060S4	61,000	14.00	11.50	CH23-68	G71MPP-60D-135	91M02
TSA060S4	61,500	14.00	11.50	CH23-68	G60UHV-60D-135	91M02

NOTES:

Ratings are certified in accordance with USE certification program which is based on AHRI Standard 210/240; 95°F outdoor air temperature, 80°F db / 67°F wb entering evaporator air with 25 ft. of connecting refrigerant lines.

All ratings include the use of a blower time-off delay. All Lennox variable-speed furnaces and Air Handlers have time-off delay capabilities. Other furnaces and Air Handlers may require an optional time delay relay (58M81) for field installation. See furnace or air handler specifications to determine if relay is needed.

Expansion Devices – If “Factory TXV” is listed, no change is required. If a catalog number is listed, the factory installed RFC or expansion valve on the indoor coil must be replaced with the expansion valve (ordered separately) or RFC (shipped with air conditioner) listed.

*Most popular combination.

AHRI RATINGS

Model	Cooling Btuh	SEER	EER	Coil or Air Handler	Furnace	Expansion Device
Air Handlers						
TSA060S4	56,500	12.00	10.20	CB29M-65		91M02
TSA060S4	58,500	13.50	11.00	CBX32M-048		Factory TXV
TSA060S4	59,000	13.50	11.00	CBX27UH-060		Factory TXV
TSA060S4	59,500	13.00	11.00	CBX32M-060		Factory TXV
TSA060S4	59,500	13.50	11.00	CBX32MV-048		Factory TXV
TSA060S4	60,000	13.50	11.00	CBX32MV-060		Factory TXV
TSA060S4	61,000	13.00	12.00	TAA072S4S		Factory TXV
TSA060S4	62,500	14.00	11.50	CBX26UH-060		Factory TXV
Air Handlers						
(2)TSA048S4	94,000	11.40	11.80	TAA090S4S		Factory TXV
Air Handlers						
(2)TSA060S4	122,000	11.60	12.00	TAA120S4S		Factory TXV

NOTES:

Ratings are certified in accordance with USE certification program which is based on AHRI Standard 210/240; 95°F outdoor air temperature, 80°F db / 67°F wb entering evaporator air with 25 ft. of connecting refrigerant lines.

All ratings include the use of a blower time-off delay. All Lennox variable-speed furnaces and Air Handlers have time-off delay capabilities. Other furnaces and Air Handlers may require an optional time delay relay (58M81) for field installation. See furnace or air handler specifications to determine if relay is needed.

Expansion Devices – If "Factory TXV" is listed, no change is required. If a catalog number is listed, the factory installed RFC or expansion valve on the indoor coil must be replaced with the expansion valve (ordered separately) or RFC (shipped with air conditioner) listed.

*Most popular combination.

GUIDE SPECIFICATIONS

This specification specifies **[Lennox T-Class™]** split system air conditioners. These products are manufactured by Lennox Industries. Revise section number and title below to suit project requirements, specification practices and section content. Refer to CSI *MasterFormat* for other section numbers and titles.

Optional text and text that requires a decision are indicated by **bold brackets []**, and proprietary information is indicated by **bold italic brackets []**; delete text that is not needed in final copy of specification. Specifier Notes typically precede specification text; delete notes in final copy of specification. Trade/brand names with appropriate symbols typically are used in Specifier Notes; symbols are not used in specification text. Metric conversion, where used, is soft metric conversion.

SECTION 23 81 26 SPLIT-SYSTEM AIR-CONDITIONERS

PART 1 GENERAL

PART 1.01 SUMMARY

- A. Section Includes: Split System Air Conditioners, including:
 - 1. Cabinet
 - 2. Compressor
 - 3. Refrigerant system
 - 4. Controls
 - 5. Refrigerant line connectors, electrical inlets and service valves

Specifier Note: Revise paragraph below to suit project requirements. Add section numbers and titles per CSI *MasterFormat* and specifier's practice.

Specifier Note: Article below may be omitted when specifying manufacturer's proprietary products and recommended installation. Retain Reference Article when specifying products and installation by an industry reference standard. If retained, list standard(s) referenced in this section. Indicate issuing authority name, acronym, standard designation and title. Establish policy for indicating edition date of standard referenced. Conditions of the Contract or Division 01 References Section may establish the edition date of standards. This article does not require compliance with standard, but is merely a listing of references used. Article below should list only those industry standards referenced in this section. Retain only those reference standards to be used within the text of this Section. Add and delete as required for specific project.

PART 1.02 REFERENCES

- A. Air-Conditioning and Refrigeration Institute (ARI):
 - 1. ARI 210/240 – 2005, Unitary Air-Conditioning and Air-Source Heat Pump Equipment
 - 2. ARI 270 – 1995, Sound Rating of Outdoor Unitary Equipment
- B. Servicing Standards:
 - 1. National Electric Code (NEC)
 - 2. Underwriters Laboratories, Inc. (UL)
 - 3. Canadian Electric Code (CEC)
- C. Department of Energy (DOE), units rated to
- D. ISO 9001, units manufactured to quality standard
- E. CSA Certification

Specifier Note: Article below should be restricted to statements describing design or performance requirements and functional (not dimensional) tolerances of a complete system. Limit descriptions to composite and operational properties required to link components of a system together and to interface with other systems.

GUIDE SPECIFICATIONS

PART 1.03 SYSTEM DESCRIPTION

A. Performance Requirements:

Specifier Note: Refer to Lennox Engineering Handbook for specific heating and cooling capacities. Units are available in 3, 3.5, 4 and 5 ton models. Cooling capacities vary from 31,200 to 60,000 Btuh.

1. 3, 3.5, 4 and 5 ton capacity
2. Electrical Characteristics:
 - a. 60 hz
 - b. 3-phase

Specifier Note: The 575 V option below is only available on the 4 and 5 ton Lennox TS with R-410A and 3, 4 and 5 ton Lennox TS with R-22.

- c. [208/230 V] [460 V] [575 V]

Specifier Note: Article below includes submittal of relevant data to be furnished by Contractor before, during or after construction. Coordinate this article with Architect's and Contractor's duties and responsibilities in Conditions of the Contract and Division 01 Submittal Procedures Section.

PART 1.04 SUBMITTALS

- A. General: Submit listed submittals in accordance with Conditions of the Contract and Division 01 Submittal Procedures.
- B. Product Data: Submit product data for specified products.
- C. Shop Drawings:
 1. Submit shop drawings in accordance with Section [01 33 00 - Submittal Procedures] [_____].
 2. Indicate:
 - a. Equipment, piping and connections, together with valves, strainers, control assemblies, thermostatic controls, auxiliaries and hardware, and recommended ancillaries that are mounted, wired and piped ready for final connection to building system, its size and recommended bypass connections.
 - b. Piping, valves and fittings shipped loose showing final location in assembly.
 - c. Control equipment shipped loose, showing final location in assembly.
 - d. Field wiring diagrams.
 - e. Dimensions, internal and external construction details, installation clearances, recommended method of installation, sizes and location of mounting bolt holes.
 - f. Detailed composite wiring diagrams for control systems showing factory installed wiring and equipment on split systems or required for controlling devices or ancillaries, accessories, controllers.
- D. Quality Assurance:
 1. Test Reports: Certified test reports showing compliance with specified performance characteristics and physical properties.
 2. Certificates: Product certificates signed by manufacturer certifying materials comply with specified performance characteristics and criteria and physical requirements.
 3. Manufacturer's Instructions: Manufacturer's installation instructions.

Specifier Note: Coordinate paragraph below with Part 3 Field Quality Requirements Article. Retain or delete as applicable.

- E. Manufacturer's Field Reports: Manufacturer's field reports specified.
- F. Closeout Submittals: Submit the following:
 1. Warranty: Warranty documents specified.
 2. Operation and Maintenance Data: Operation and maintenance data for installed products in accordance with Division 01 Closeout Submittals (Maintenance Data and Operation Data) Section. Include methods for maintaining installed products, and precautions against cleaning materials and methods detrimental to finishes and performance. Include names and addresses of spare part suppliers.
 3. Provide brief description of unit, with details of function, operation, control and component service.
 4. Commissioning Report: Submit commissioning reports, report forms and schematics in accordance with Section [01 91 00 - Commissioning] [_____].

GUIDE SPECIFICATIONS

PART 1.05 QUALITY ASSURANCE

- A. Qualifications:
 - 1. Installer experienced in performing work of this section who has specialized in installation of work similar to that required for this project.
 - 2. Manufacturer Qualifications: Manufacturer capable of providing field service representation during construction and approving application method.
- B. Preinstallation Meetings: Conduct Pre-installation meeting to verify project requirements, manufacturer's installation instructions and manufacturer's warranty requirements. Comply with Division 01 Project Management and Coordination (Project Meetings).

PART 1.06 DELIVERY, STORAGE & HANDLING

- A. General: Comply with **[01 61 00 - Common Product Requirements]** [____].
- B. Ordering: Comply with manufacturer's ordering instructions and lead time requirements to avoid construction delays.
- C. Packing, Shipping, Handling and Delivery:
 - 1. Deliver materials in manufacturer's original, unopened, undamaged containers with identification labels intact.
 - 2. Ship, handle and unload units according to manufacturer's instructions.
- D. Storage and Protection:
 - 1. Store materials protected from exposure to harmful weather conditions.
 - 2. Factory shipping covers to remain in place until installation.

Specifier Note: Include or remove following section as project dictates.

- E. Waste Management and Disposal:

Specifier Note: ENVIRONMENT: The disposal of packaging waste into landfill site demonstrates an inefficient use of natural resources and consumes valuable landfill space.

- 1. Separate waste materials for **[Reuse] [And] [Recycling]** [____] in accordance with **Section [01 74 19 - Construction Waste Management and Disposal]** [____].
- 2. Remove from site and dispose of packaging materials at appropriate recycling facilities.
- 3. Collect and separate for **disposal [Paper] [Plastic] [Polystyrene] [Corrugated cardboard]** [____] packaging material **[In appropriate onsite bins]** [____] for recycling.

Specifier Note: Coordinate article below with Conditions of the Contract and with Division 01 Closeout Submittals (Warranty).

PART 1.07 WARRANTY

- A. Project Warranty: Refer to Conditions of the Contract for project warranty provisions.
- B. Manufacturer's Warranty: Submit, for Owner's acceptance, manufacturer's standard warranty document executed by authorized company official. Manufacturer's warranty is in addition to, and not a limitation of, other rights Owner may have under Contract Documents.

Specifier Note: Coordinate paragraph below with manufacturer's warranty requirements.

- C. Warranty: Commencing on Date of Installation.
 - 1. Compressor: Five years (limited) (non-residential applications)
 - 2. Other Covered Components: One year (limited) (non-residential applications)

GUIDE SPECIFICATIONS

PART 2 PRODUCTS

Specifier Note: Retain article below for proprietary method specification. Add product attributes, performance characteristics, material standards, and descriptions as applicable. Use of such phrases as “or equal” or “or approved equal” or similar phrases may cause ambiguity in specifications. Such phrases require verification (procedural, legal and regulatory) and assignment of responsibility for determining “or equal” products.

PART 2.01 AIR CONDITIONERS/SPLIT SYSTEM UNITS

- A. Manufacturer: **[Lennox Industries]**
 - 1. Contact: **[2100 Lake Park Blvd., Richardson, TX 75080; Telephone: (800) 453-6669; website: www.lennox.com]**
- B. Proprietary Products/Systems: **[Lennox T-Class™]** Split System Air Conditioner Units, including the following equipment:
 - 1. Cabinet:
 - a. Heavy gauge steel with 5 station metal wash preparation
 - b. Powder paint finish
 - c. Corrosion and rust resistant paint
 - d. Control box with controls factory wired
 - e. Corner patch plate access to compressor components
 - f. Base drainage holes for moisture removal
 - g. Painted base section
 - h. **[Accessories]:**
 - 1) **[Hail Guards: Four-sided of louvered heavy gauge steel painted to match cabinet.]**
 - 2) **[Mounting Base of high-density polyethylene structural material for permanent foundation of outdoor units.]**
 - 3) **[Unit Stand-Off Kit consisting of 4 black polyethylene feet to raise unit off mounting surface.]**
 - 2. Compressor:
 - a. Scroll type.
 - b. Resiliently mounted on rubber mounts for vibration isolation.
 - c. Internal excessive current and temperature protection.
 - d. Crankcase heater.
 - e. **[Accessories:]**
 - 1) **[Low Ambient Cut-Off: nonadjustable switch to prevent compressor operation at outdoor temperatures below 35 degrees F.]**
 - 2) **[Compressor Sound Cover: Reinforced vinyl cover containing 1 1/2 inches thick fiberglass insulation batt.]**
 - 3) **[Compressor Timed-Off Control: kit prevents short cycling.]**
 - 3. Refrigerant System:
 - a. Refrigerant: **[R22] [R410-A]**
 - b. Factory charge refrigerant
 - c. Condenser Fan:
 - 1) Direct drive fan
 - 2) Vertical air discharge
 - 3) Totally enclosed fan motor with sleeve bearings
 - 4) Motor inherently protected
 - 5) Rain shield
 - 6) Louvered steel top fan guard
 - d. Copper Tube/Fin Coil:
 - 1) Copper tube with flared shoulder connections and silver solder construction
 - 2) Lanced, ripple-edged aluminum fins
 - 3) PVC coated steel wire coil guard
 - 4) Coil is leak tested at factory
 - 5) Entire coil is accessible for cleaning
 - e. **[Accessories:]**
 - 1) **[Expansion Valve Kit]**

GUIDE SPECIFICATIONS

Specifier Note: The High Pressure switch kit is a standard feature on the Lennox T-Class™ R-410A models.

- 2) [High Pressure Switch Kit]
- 3) [Loss of Charge Kit]
- 4) [Refrigerant Line Kits]
4. [Controls:]
 - a. [Low Ambient Kit: Allows unit to operate satisfactorily down to 30 degrees F. (field installed).]
 - b. [Freezestat]
 - c. [Thermostat]
 - d. [Time Delay Relay Kit]
5. Refrigerant Line Connections, Electrical Inlets, Service Valves:
 - a. Sweat connection vapor and liquid lines located on cabinet corner
 - b. Fully serviceable and accessible brass service valves
 - c. Full shutoff suction valve
 - d. Liquid valve can be front seated to manage refrigerant charge while servicing system
 - e. Refrigerant line connections and field wiring inlets to be located in one central area
6. See manufacturers list of combinations of air conditioning and furnace or air handlers
7. Units to be factory assembled, piped and wired
8. Units to be assembled in the USA
9. All units are to be factory run tested
10. Installer responsibilities:
 - a. Set unit
 - b. Connect refrigerant lines
 - c. Make electrical connections

Specifier Note: Edit article below to suit project requirements. If substitutions are permitted, edit text below. Add text to refer to Division 01 Project Requirements (Product Substitutions Procedures) Section.

PART 2.02 PRODUCT SUBSTITUTIONS

- A. Substitutions: No substitutions permitted.

PART 3 EXECUTION

PART 3.01 MANUFACTURER'S INSTRUCTIONS

Specifier Note: Revise article below to suit project requirements and specifier's practice.

- A. Compliance: Comply with manufacturer's written data, including product technical bulletins, product catalog installation instructions and product carton installation instructions.

PART 3.02 EXAMINATION

- A. Site Verification of Conditions: Verify that substrate conditions, which have been previously installed under other sections, are acceptable for product installation in accordance with manufacturer's instructions.

PART 3.03 INSTALLATION

- A. Install air conditioner in accordance with manufacturer's instructions and regulations of authorities having jurisdiction.

END OF SECTION

REVISIONS

Specifications	Changed coil information, outdoor fan data, refrigerant charge, shipping weight, hail guards and mounting bases for 036-042-048-060.
Electrical Data	Changed outdoor fan motor data on 042 model.
Dimensions	Changed dimensions for -042-048-060.



Visit us at www.lennox.com

For the latest technical information, www.lennoxcommercial.com

Contact us at 1-800-4-LENNOX

NOTE - Due to Lennox' ongoing commitment to quality, Specifications, Ratings and Dimensions subject to change without notice and without incurring liability. Improper installation, adjustment, alteration, service or maintenance can cause property damage or personal injury. Installation and service must be performed by a qualified installer and servicing agency.

©2009 Lennox Industries, Inc.